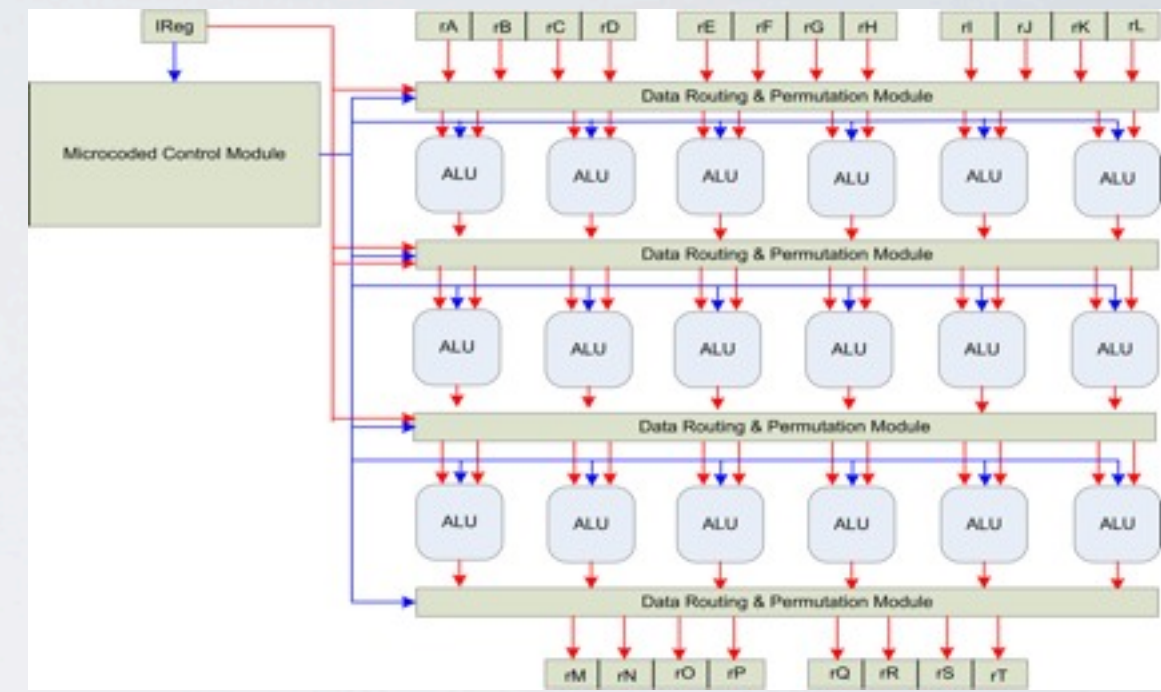
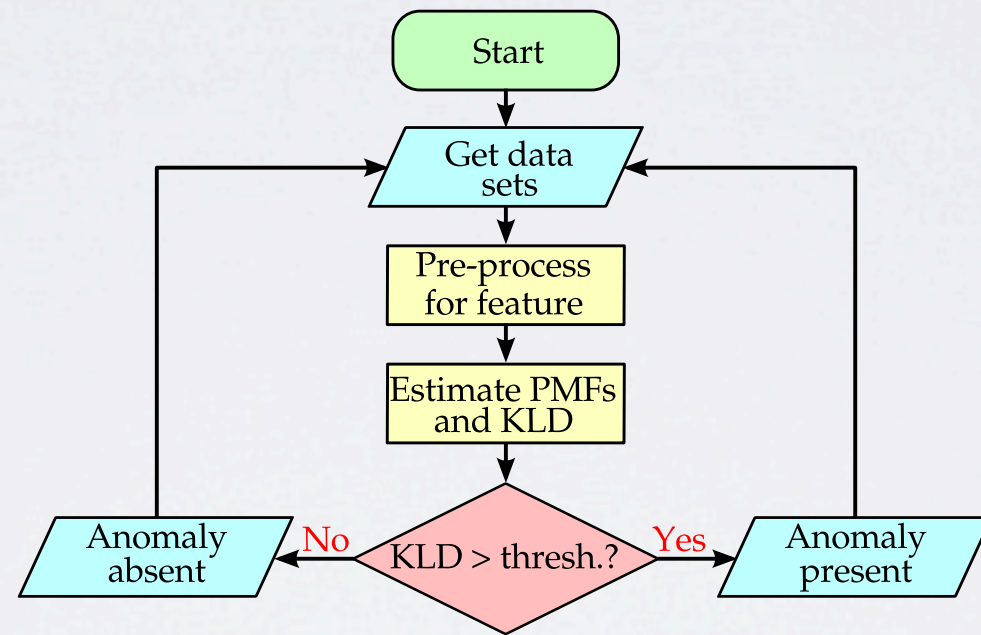
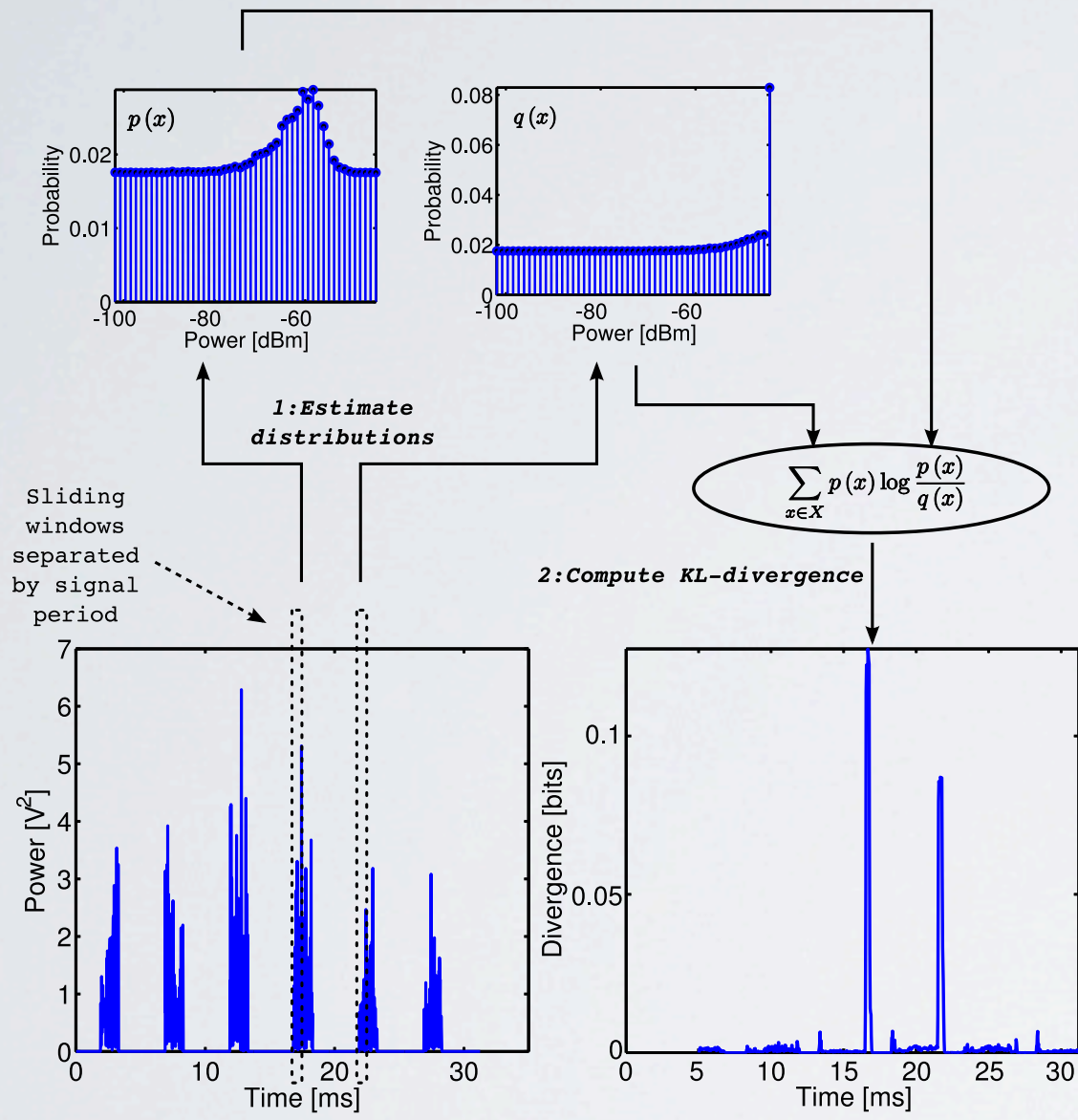


A customised System-on-Chip for anomaly detection using the Kullback-Leibler divergence metric



IDCOM

icsa

